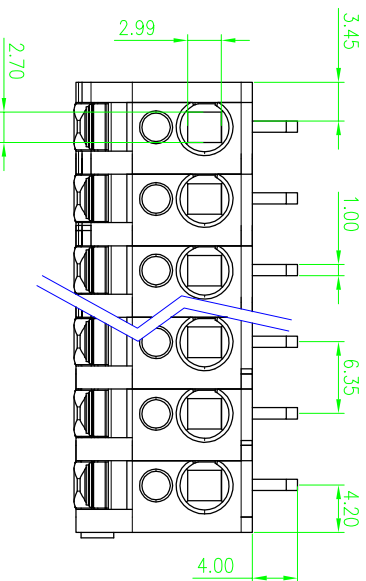
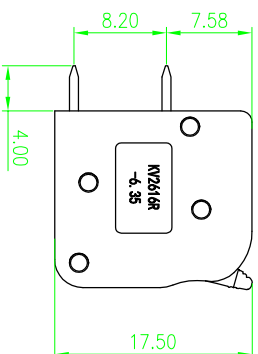
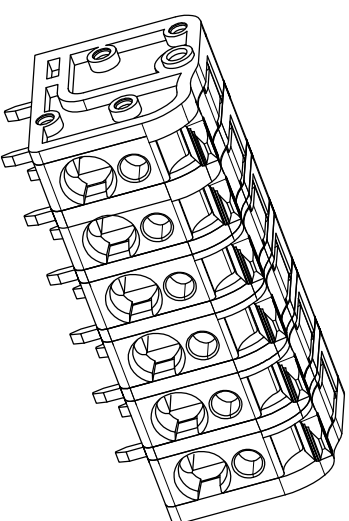
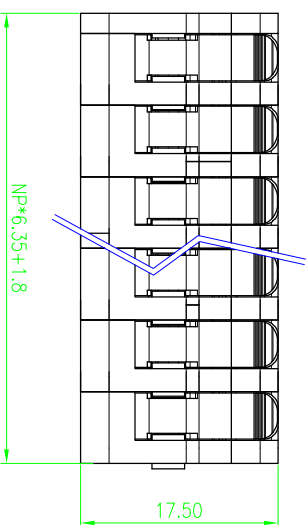
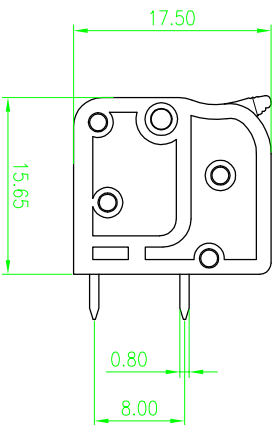
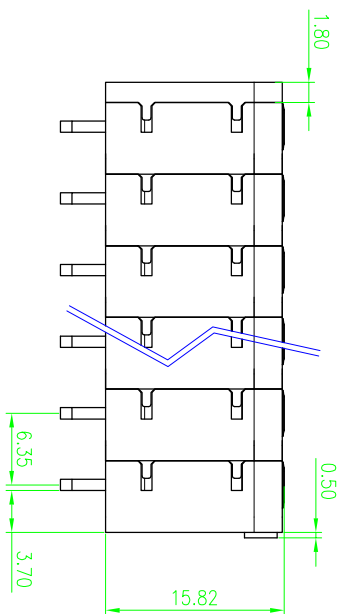


| 公差/General Tolerances(mm) | | 0.1/10 |
|---------------------------|-------|--------|
| 0 | >3 | ±2 |
| ~ | ~ | ±2 |
| 3 | ~ | ±2 |
| ~ | 6 | ±2 |
| ~ | 10 | ±2 |
| ~ | 18 | ±2 |
| ~ | 30 | ±2 |
| ~ | 50 | ±2 |
| ~ | 80 | ±2 |
| ~ | 120 | ±2 |
| ~ | 180 | ±2 |
| ~ | 250 | ±2 |
| ~ | 315 | ±2 |
| ~ | 400 | ±2 |
| ~ | 500 | ±2 |
| ~ | >400 | ±2 |
| ~ | >500 | ±2 |
| ±0.12 | ±0.18 | ±2 |
| ±0.22 | ±0.26 | ±2 |
| ±0.31 | ±0.37 | ±2 |
| ±0.57 | ±0.80 | ±2 |
| ±0.93 | ±1.05 | ±2 |
| ±1.15 | ±1.60 | ±2 |
| ±2.20 | ±2.50 | ±2 |



| UL 标准/UL Standard: | B | C | D |
|--|--------------|--------|--------|
| 额定电压/电流/Rated Voltage(V)/Current(A) | 400/20 | / | 400/10 |
| IEC 标准/IEC Standard: | | | |
| 过压类别/Overvoltage Category/耐受等级/Pollution Degree | III/3 | III/2 | II/2 |
| 额定电压/电源/Rated Voltage(V)/Current(A) | 400/32 | 400/32 | 630/32 |
| 额定脉冲电压(KV)/Rate Impulse Voltage(KV) | 4 | 4 | 4 |
| 线径范围(硬线和软线)/Wire Range(rigid and flexible)(mm ² /AWG) | 0.2~4/24~12 | | |
| 间距/Pitch(mm)/线数范围/Poles | 5.0/N=01~12P | | |
| 剥线长度/Stripping length(mm) | 9-11 | | |
| 使用温度范围/Operating temperature(°C) | -40~+105 | | |
| 符合roHS环保要求/Conform to RoHS | Yes | | |

SURFACE:

康伟电子有限公司
Kangwei Electronics Co., Ltd



康伟电子有限公司
Kangwei Electronics Co., Ltd

| | |
|---------------|------------------|
| MATERIAL: | / |
| MAT NO.: | / |
| STATUS: | / |
| APPD: Ian ChH | 2023.12.14 |
| CHKD: Yu JZh | 2023.12.14 |
| DRAFT: CENGMZ | 2023.12.14 |
| NAME: | KV2616R-6.35 |
| DRAWING NO.: | KV2616R-6.35 |
| TYPE: | CUSTOMER_DRAWING |
| SCALE: | 2:1 |
| SHEET: | 1/1 |

| | | |
|----------|------------------|------------|
| SIZE: A4 | mm | inch |
| TYPE: | CUSTOMER_DRAWING | SCALE: 2:1 |
| SHEET: | 1/1 | REV: TO-1 |