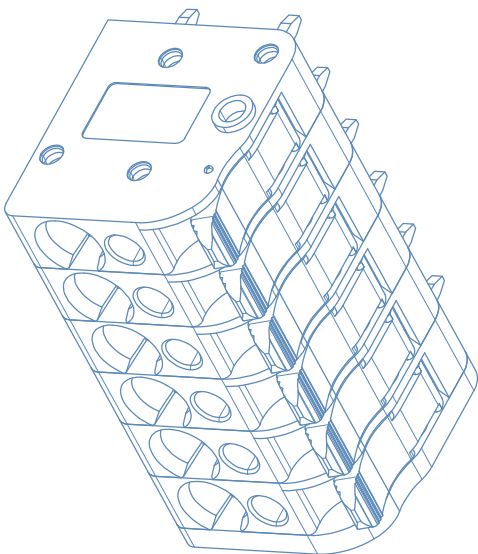
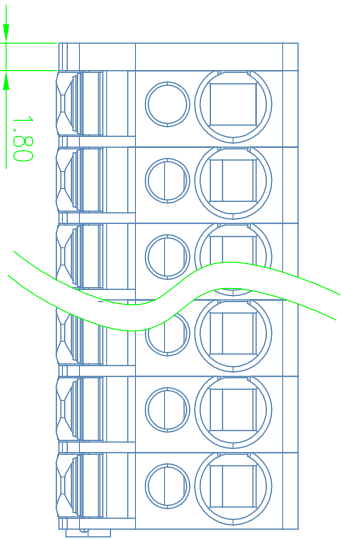
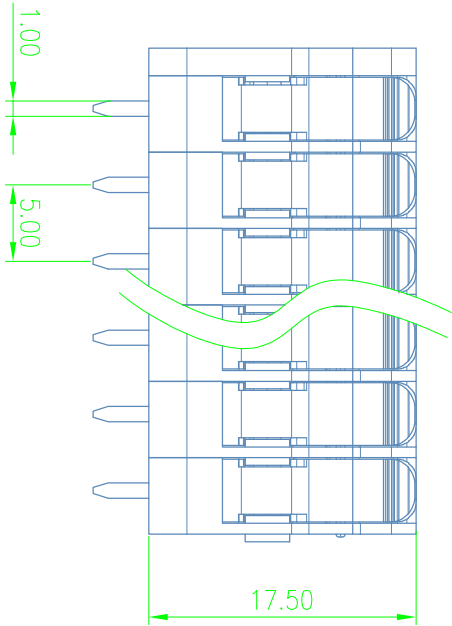
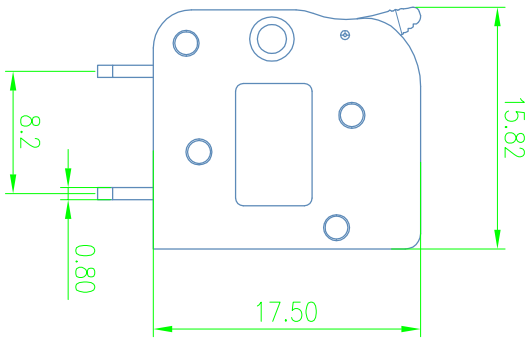
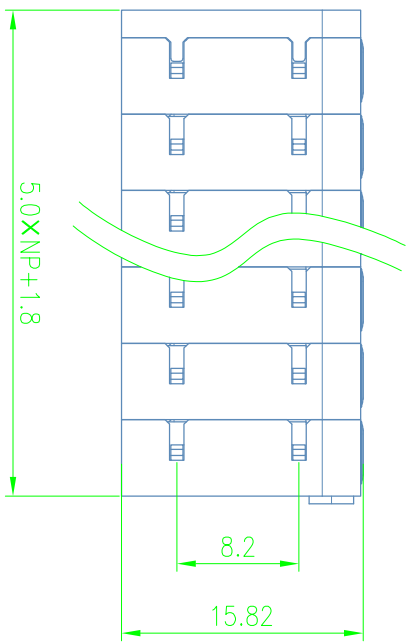


公差/差 (General Tolerances)(mm)	0	>3	>6	>10	>18	>30	>50	>80	>120	>180	>250	>315	>400	0.1/10
±0.12	±0.18	±0.22	±0.26	±0.31	±0.37	±0.57	±0.80	±0.93	±1.05	±1.15	±1.60	±2.20	±2.50	±2
	~	~	~	~	~	~	~	~	~	~	~	~	~	~
	3	6	10	18	30	50	80	120	180	250	315	400	500	~



UL 标准/UL Standard:	B	C	D
额定电压/电流/Rated Voltage(V)/Current(A)	300/20	/	300/10
EC 标准/EC Standard:			
过压类别/Overvoltage Category/等级等	III/3	III/2	II/2
级/ Pollution Degree			
额定电压/电流/Rated Voltage(V)/Current(A)	320/32	400/32	630/32
额定脉冲电压(kV)/Rate Impulse Voltage(kV)	4	4	4
额定脉冲电压(kV)/Rate Impulse Voltage(kV)			
线径范围(硬线和软线)/Wire Range(rigid and flexible)(mm <sup>2</sup> /AWG)	0.2~4/24~12		
可距/Pitch(mm)/线数范围/Poles	5.0/N=01~12P		
剥线长度/Stripping length(mm)	9-11		
使用温度范围/Operating temperature(°C)	-40~+105		
符合RoHS环保要求/Conform to RoHS	Yes		

MATERIAL: /

MAAT NO.:

STATUS: /

APPD:lan CHH 2023.12.20

CHKD: Yu JZh 2023.12.20

DRFT:CENGMZ\_2023.12.20

SIZE:A4

TYPE: CUSTOMER\_DRAWING

康佳电子有限公司  
KANGWEI WEIELECTRONICS CO.,LTD

KV2616V-5.0

DRAWING NO.: KV2616V-5.0

SCALE: 2:1

SHEET 1/1

REV	ECN	DESCRIPTION	DRFT	DATE
①	20210084	Add the UL lettering	Chen Zh	2021.04.30