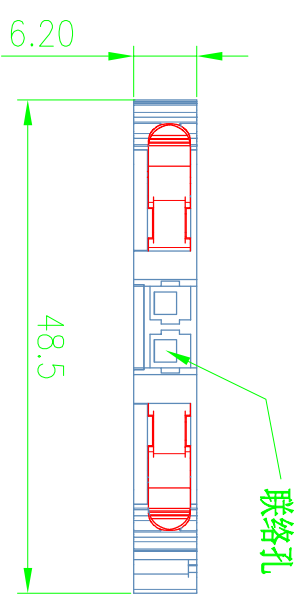
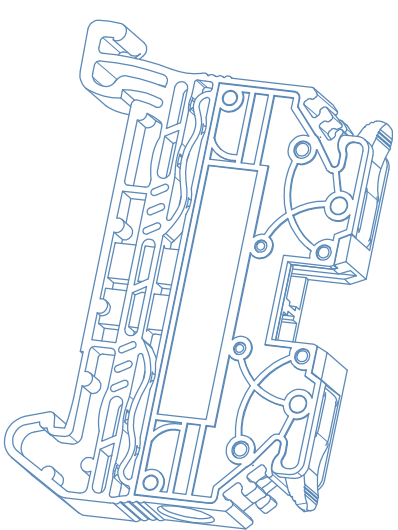
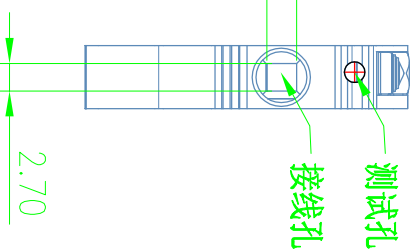
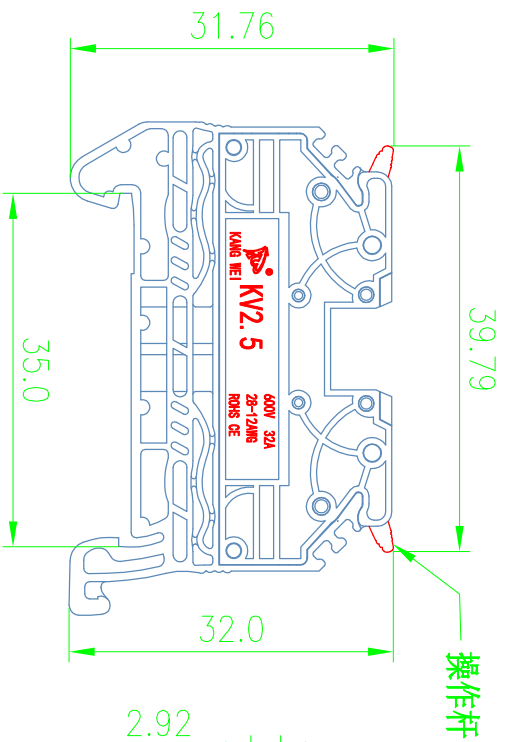


Pitch Range in mm		Nominal Dimension Range in mm				Tolerance				
Over	6	Over	10	Over	30	Over	100	Over	150	0.1/1.0
TO	10	TO	24	TO	60	TO	100	TO	150	≤
±0.15	±0.20	±0.30	±0.30	±0.50	±0.70	±1.00	±1.30	±2°		



3	压线扣	不锈钢	301#
2	联络件	紫铜	镀锡
1	外壳	PA66	UL94V-0

UL 标准/UL Standard:	B	C	D
额定电压/电流/Rated Voltage(V)/Current(A)	800/32	800/32	800/32
IEC 标准/IEC Standard:			
过压类别/Overvoltage Category/污染等级/Pollution Degree	III/3	III/2	II/2
额定电压/电流/Rated Voltage(V)/Current(A)	800/32	800/32	800/32
额定脉冲电压(kV)/Rate Impulse Voltage(kV)	10	10	10
拉力 (kg)	15KG		
线径范围/Wire Range(AWG)	28~12AWG		
尺寸(长/厚/高) ㎜	6.2*48.5*32		
剥线长度/Stripping Length(mm)	10~12		
使用温度范围/Operating temperature(°C)	-40~+105		
符合roHS环保要求/Conform to RoHS	Yes		

MATERIAL: SURFACE: /

MAT NO.: /
 STATUS: /
 APPD: /
 CHKD: /

NAME: 康伟电子有限公司
 KV2.5

DRAWING NO.:
 DRFT: CENGMZ_2024.01.26

REV	ECN	DESCRIPTION	DRFT	DATE	SIZE: A4	SCALE: 2:1	REV	TO-1
					mm (inch)			1/1